



HVAC Products

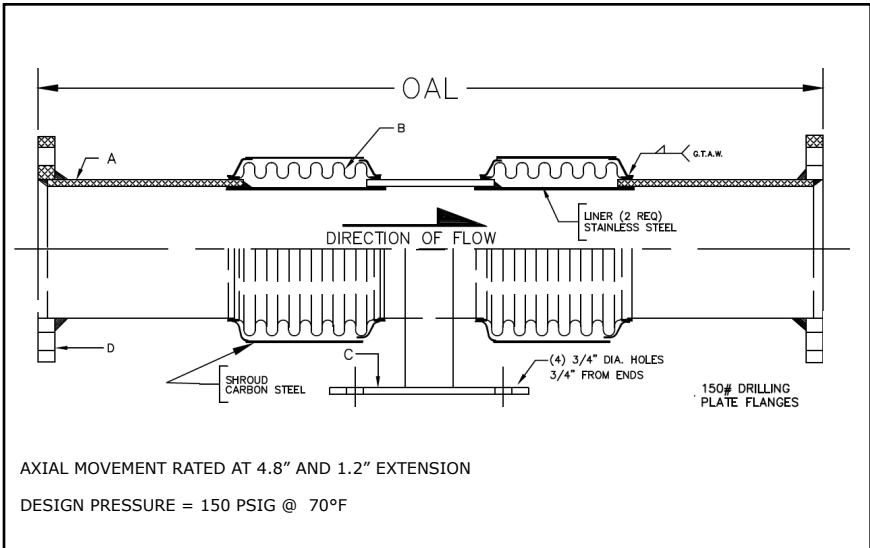
SUBMITTAL

Mar 2018

311 SERIES DUAL EXPANSION JOINT 6" TRAVEL W/150# PLATE FLANGES

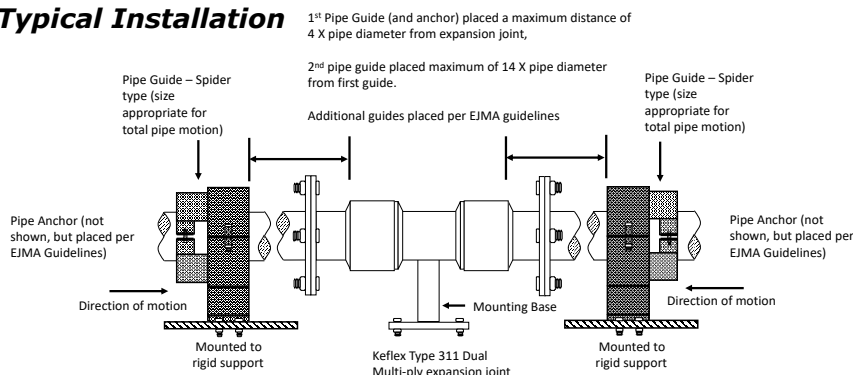
PROJECT:	
CUSTOMER:	
ENGINEER:	
ARCHITECT:	

MATERIALS OF CONSTRUCTION	
'A' PIPE SCH 40:	CARBON STEEL
'B' CAPSULE:	T-304 STN STL
'C' BASE PLATE:	CARBON STEEL
'D' PLATE FLANGES:	CARBON STEEL



QTY	ID # OR TAG #	DIA (IN)	KEFLEX PART #	OAL	AXIAL FORCE TO COMPRESS (LBS)	WEIGHT (LBS)	3D Model (.stp)
		2"	F020M311DB1506	36"	200	35	
		2 1/2"	F024M311DB1506	36"	400	37	
		3"	F030M311DB1506	36"	300	63	
		4"	F040M311DB1506	36"	700	84	
		5"	F050M311DB1506	36"	425	106	
		6"	F060M311DB1506	36"	500	123	
		8"	F080M311DB1506	36"	750	169	
		10"	F100M311DB1506	36"	1000	207	
		12"	F120M311DB1506	36"	600	288	

Typical Installation



IMPORTANT LINKS

BROCHURE:	
INSTALLATION INSTRUCTIONS:	
TECHNICAL DATA:	
WEBSITE:	FLEX-WELD.COM



MADE IN THE USA

1425 LAKE AVE
WOODSTOCK, IL 60098
800-323-6893