



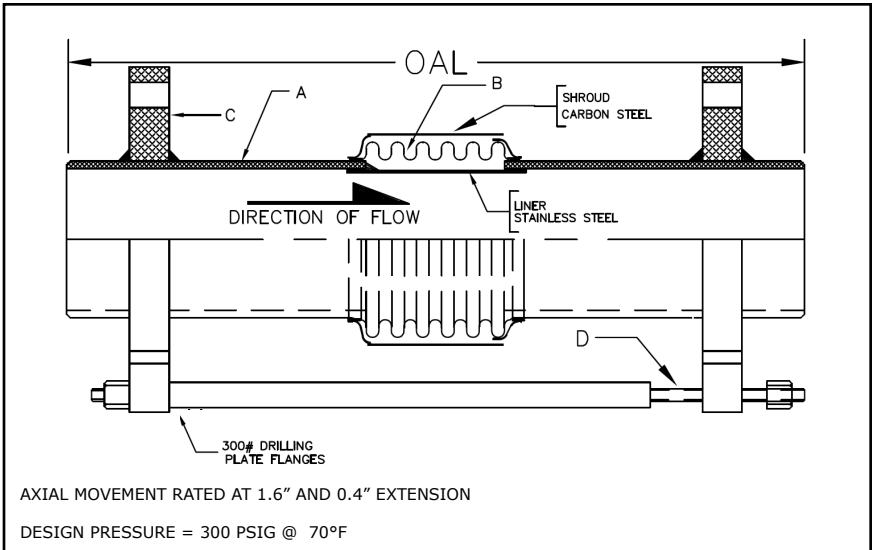
HVAC Products

SUBMITTAL

Mar 2018

311 SERIES EXPANSION JOINT 2" TRAVEL W/WELD ENDS & TIE RODS - HIGH PRESSURE

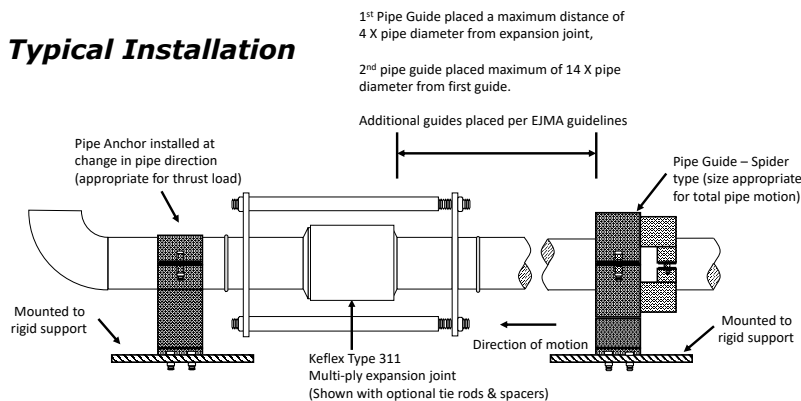
PROJECT:	
CUSTOMER:	
ENGINEER:	
ARCHITECT:	



MATERIALS OF CONSTRUCTION	
'A' PIPE SCH 40:	CARBON STEEL
'B' CAPSULE:	T-304 STN STL
'C' PLATE FLANGE:	CARBON STEEL
'D' TIE RODS/SPACERS	CARBON STEEL

QTY	ID # OR TAG #	DIA (IN)	KEFLEX PART #	OAL	AXIAL FORCE TO COMPRESS (LBS)	WEIGHT (LBS)	3D Model (.stp)
		2"	F020H311T902	17"	175	45	
		2 1/2"	F024H311T902	17"	350	53	
		3"	F030H311T902	17"	225	59	
		4"	F040H311T902	17"	575	72	
		5"	F050H311T902	17"	350	88	
		6"	F060H311T902	17"	400	107	
		8"	F080H311T902	17"	575	152	
		10"	F100H311T902	17"	850	189	
		12"	F120H311T902	17"	475	259	

Typical Installation



IMPORTANT LINKS	
BROCHURE:	
INSTALLATION INSTRUCTIONS:	
TECHNICAL DATA:	
WEBSITE:	FLEX-WELD.COM



MADE IN THE USA

**1425 LAKE AVE
WOODSTOCK, IL 60098
800-323-6893**