



HVAC Products

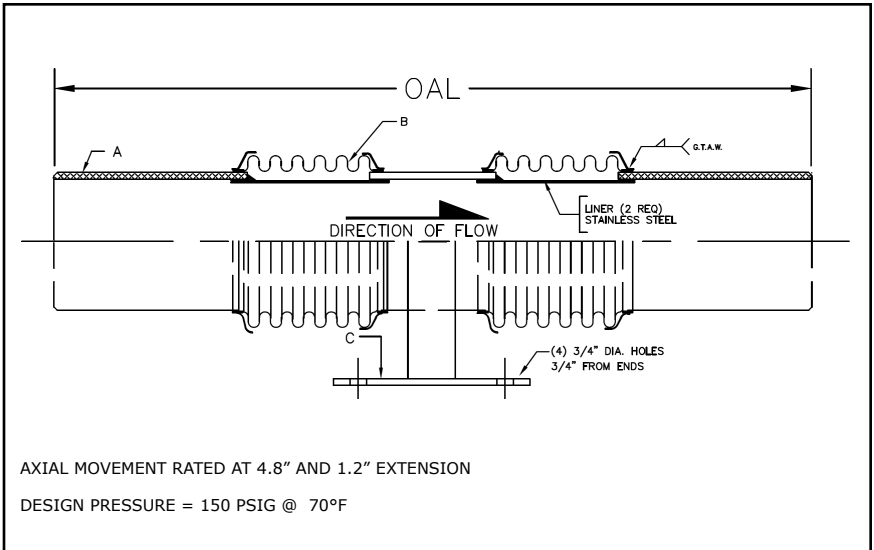
# SUBMITTAL

Mar 2018

## 308 SERIES DUAL EXPANSION JOINT 6" TRAVEL W/WELD ENDS

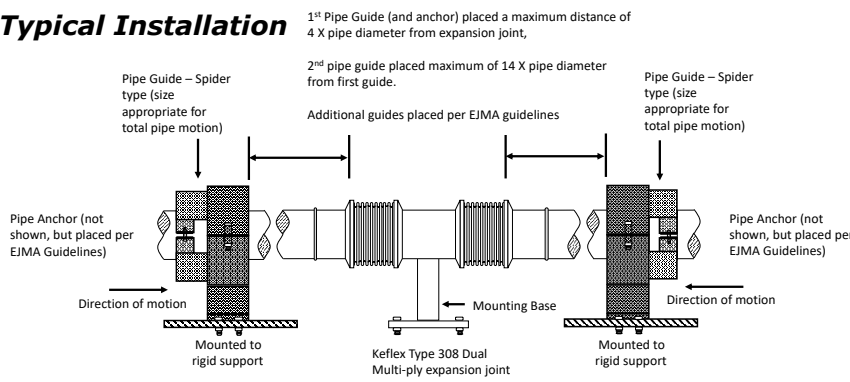
<b>PROJECT:</b>	
<b>CUSTOMER:</b>	
<b>ENGINEER:</b>	
<b>ARCHITECT:</b>	

MATERIALS OF CONSTRUCTION	
'A' PIPE SCH 40:	CARBON STEEL
'B' CAPSULE:	T-304 STN STL
'C' BASE PLATE:	CARBON STEEL
'D' PLATE FLANGES:	CARBON STEEL



QTY	ID # OR TAG #	DIA (IN)	KEFLEX PART #	OAL	AXIAL FORCE TO COMPRESS (LBS)	WEIGHT (LBS)	3D Model (.stp)
		2"	F020M308DB906	30"	200	24	
		2 1/2"	F024M308DB906	30"	400	24	
		3"	F030M308DB906	30"	300	43	
		4"	F040M308DB906	30"	700	58	
		5"	F050M308DB906	30"	425	67	
		6"	F060M308DB906	30"	500	78	
		8"	F080M308DB906	30"	750	97	
		10"	F100M308DB906	30"	1000	126	
		12"	F120M308DB906	30"	600	160	

### Typical Installation



IMPORTANT LINKS	
BROCHURE:	
INSTALLATION INSTRUCTIONS:	
TECHNICAL DATA:	
WEBSITE:	<a href="http://FLEX-WELD.COM">FLEX-WELD.COM</a>

**MADE IN THE USA**

**1425 LAKE AVE  
WOODSTOCK, IL 60098  
800-323-6893**