



HVAC Products

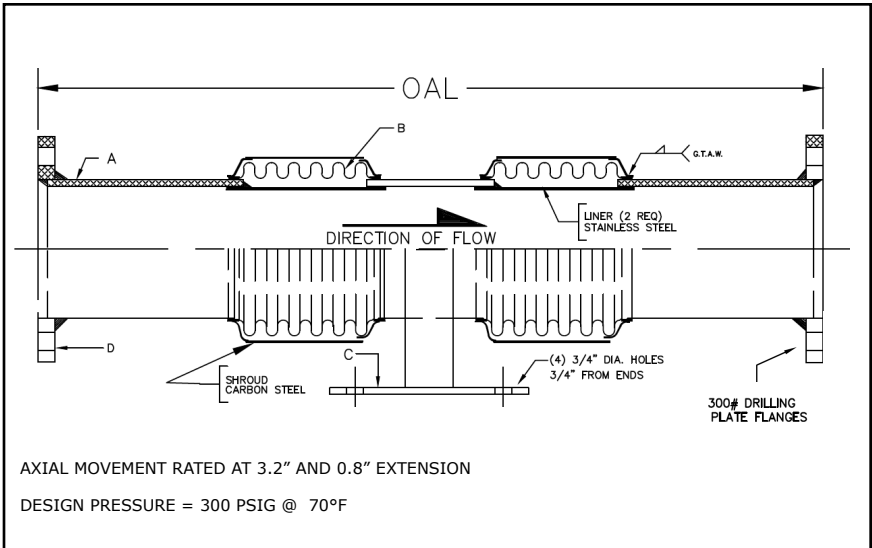
SUBMITTAL

Mar 2018

311 SERIES DUAL EXPANSION JOINT 4" TRAVEL W/300# PLATE FLANGES

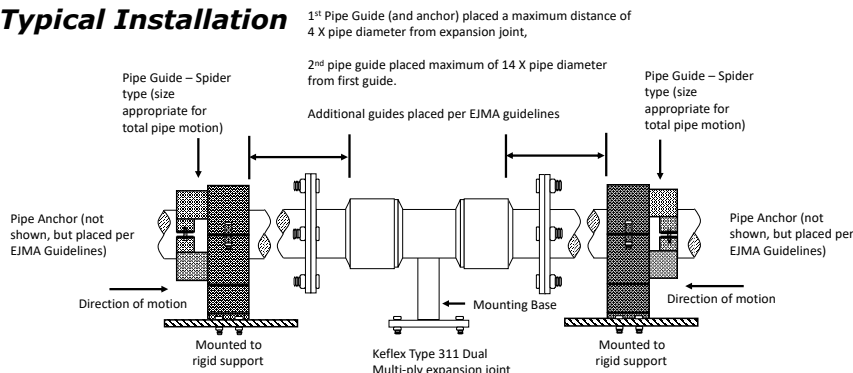
PROJECT:	
CUSTOMER:	
ENGINEER:	
ARCHITECT:	

MATERIALS OF CONSTRUCTION	
'A' PIPE SCH 40:	CARBON STEEL
'B' CAPSULE:	T-304 STN STL
'C' BASE PLATE:	CARBON STEEL
'D' PLATE FLANGES:	CARBON STEEL



QTY	ID # OR TAG #	DIA (IN)	KEFLEX PART #	OAL	AXIAL FORCE TO COMPRESS (LBS)	WEIGHT (LBS)	3D Model (.stp)
		2"	F020H311DB3004	31"	175	31	
		2 1/2"	F024H311DB3004	31"	350	35	
		3"	F030H311DB3004	31"	225	60	
		4"	F040H311DB3004	31"	575	87	
		5"	F050H311DB3004	31"	350	108	
		6"	F060H311DB3004	31"	400	125	
		8"	F080H311DB3004	31"	575	164	
		10"	F100H311DB3004	31"	850	210	
		12"	F120H311DB3004	31"	475	288	

Typical Installation



IMPORTANT LINKS

BROCHURE:	
INSTALLATION INSTRUCTIONS:	
TECHNICAL DATA:	
WEBSITE:	FLEX-WELD.COM



MADE IN THE USA

1425 LAKE AVE
WOODSTOCK, IL 60098
800-323-6893