



HVAC Products

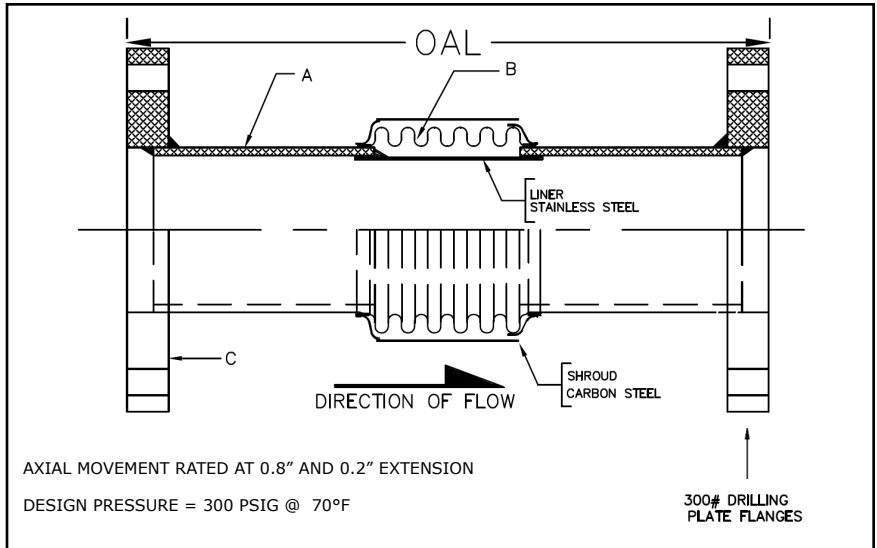
SUBMITTAL

Mar 2018

311 SERIES EXPANSION JOINT 1" TRAVEL W/300# PLATE FLANGES

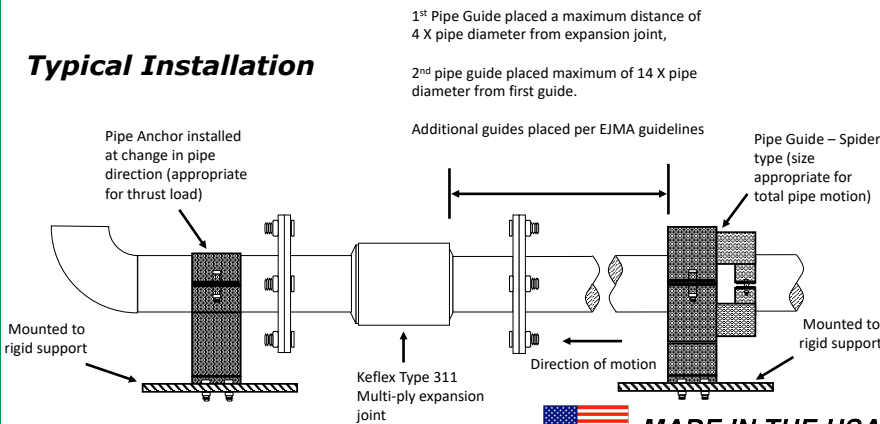
PROJECT:	
CUSTOMER:	
ENGINEER:	
ARCHITECT:	

MATERIALS OF CONSTRUCTION	
'A' PIPE SCH 40:	CARBON STEEL
'B' CAPSULE:	T-304 STN STL
'C' PLATE FLANGE:	CARBON STEEL



QTY	ID # OR TAG #	DIA (IN)	KEFLEX PART #	OAL	AXIAL FORCE TO COMPRESS (LBS)	WEIGHT (LBS)	3D Model (.stp)
		2"	F020H3113001	15"	100	16	
		2 1/2"	F024H3113001	15"	200	22	
		3"	F030H3113001	15"	150	28	
		4"	F040H3113001	15"	400	45	
		5"	F050H3113001	15"	225	61	
		6"	F060H3113001	15"	250	75	
		8"	F080H3113001	15"	400	110	
		10"	F100H3113001	15"	600	141	
		12"	F120H3113001	15"	350	195	

Typical Installation



IMPORTANT LINKS	
BROCHURE:	
INSTALLATION INSTRUCTIONS:	
TECHNICAL DATA:	
WEBSITE:	FLEX-WELD.COM



MADE IN THE USA

**1425 LAKE AVE
 WOODSTOCK, IL 60098
 800-323-6893**