



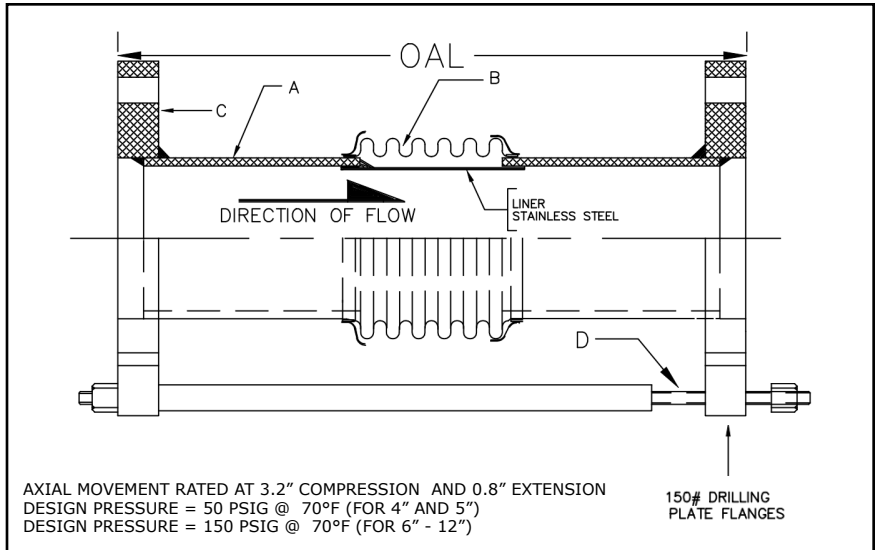
HVAC Products

# SUBMITTAL

Mar 2018

## 308 SERIES EXPANSION JOINT 4" TRAVEL W/150# PLATE FLANGES & TIE RODS

<b>PROJECT:</b>	
<b>CUSTOMER:</b>	
<b>ENGINEER:</b>	
<b>ARCHITECT:</b>	

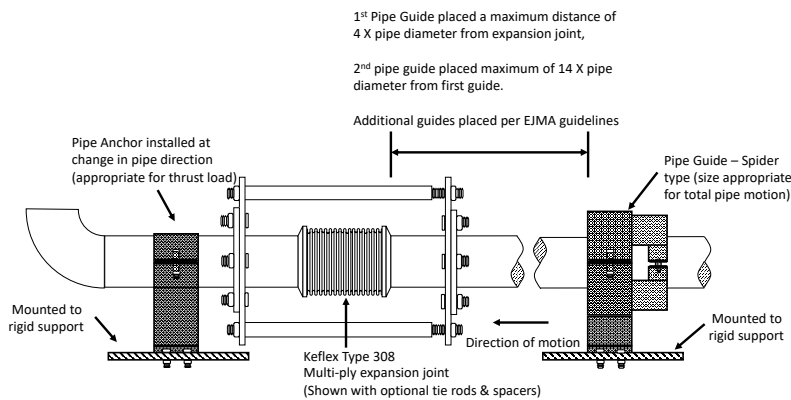


AXIAL MOVEMENT RATED AT 3.2" COMPRESSION AND 0.8" EXTENSION  
 DESIGN PRESSURE = 50 PSIG @ 70°F (FOR 4" AND 5")  
 DESIGN PRESSURE = 150 PSIG @ 70°F (FOR 6" - 12")

MATERIALS OF CONSTRUCTION	
'A' PIPE SCH 40:	CARBON STEEL
'B' CAPSULE:	T-304 STN STL
'C' PLATE FLANGE:	CARBON STEEL
'D' TIE RODS/SPACERS	CARBON STEEL

QTY	ID # OR TAG #	DIA (IN)	KEFLEX PART #	OAL	AXIAL FORCE TO COMPRESS (LBS)	WEIGHT (LBS)	3D Model (.stp)
		4"	F040L308T1504	21"	625	56	
		5"	F050L308T1504	21"	425	74	
		6"	F060M308T1504	21"	500	90	
		8"	F080M308T1504	21"	650	131	
		10"	F100M308T1504	21"	900	173	
		12"	F120M308T1504	21"	550	234	

### Typical Installation



IMPORTANT LINKS	
BROCHURE:	
INSTALLATION INSTRUCTIONS:	
TECHNICAL DATA:	
WEBSITE:	<a href="http://FLEX-WELD.COM">FLEX-WELD.COM</a>

**MADE IN THE USA**

**1425 LAKE AVE  
 WOODSTOCK, IL 60098  
 800-323-6893**