



HVAC Products

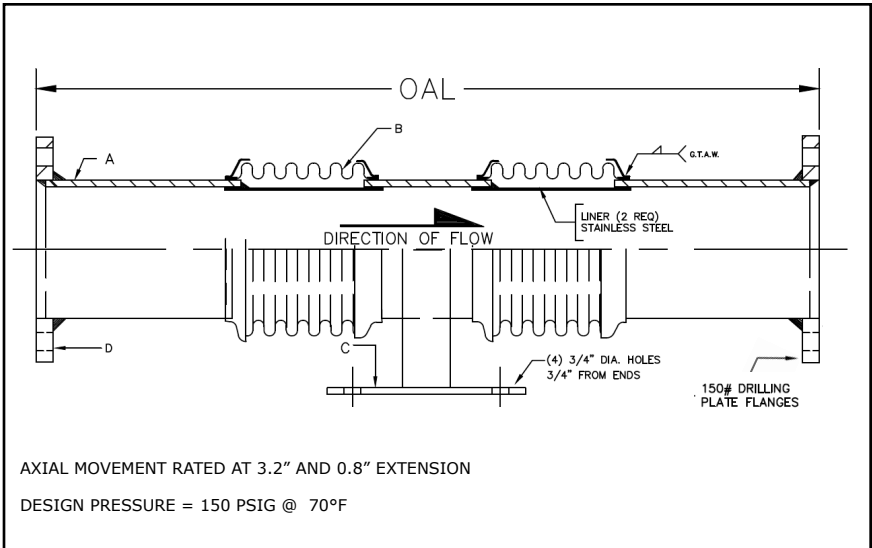
# SUBMITTAL

Mar 2018

## 308 SERIES DUAL EXPANSION JOINT 4" TRAVEL W/150# PLATE FLANGES

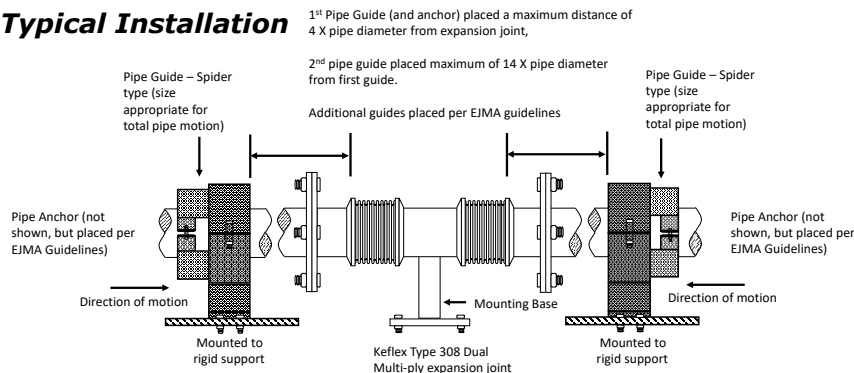
PROJECT:	
CUSTOMER:	
ENGINEER:	
ARCHITECT:	

MATERIALS OF CONSTRUCTION	
'A' PIPE SCH 40:	CARBON STEEL
'B' CAPSULE:	T-304 STN STL
'C' BASE PLATE:	CARBON STEEL
'D' PLATE FLANGES:	CARBON STEEL



QTY	ID # OR TAG #	DIA (IN)	KEFLEX PART #	OAL	AXIAL FORCE TO COMPRESS (LBS)	WEIGHT (LBS)	3D Model (.stp)
		2"	F020M308DB1504	24"	175	27	
		2 1/2"	F024M308DB1504	24"	350	27	
		3"	F030M308DB1504	24"	225	49	
		4"	F040M308DB1504	24"	575	66	
		5"	F050M308DB1504	24"	350	81	
		6"	F060M308DB1504	24"	400	95	
		8"	F080M308DB1504	24"	575	133	
		10"	F100M308DB1504	24"	850	170	
		12"	F120M308DB1504	24"	475	234	

### Typical Installation



### IMPORTANT LINKS

BROCHURE:	
INSTALLATION INSTRUCTIONS:	
TECHNICAL DATA:	
WEBSITE:	<a href="http://FLEX-WELD.COM">FLEX-WELD.COM</a>



MADE IN THE USA

1425 LAKE AVE  
WOODSTOCK, IL 60098  
800-323-6893